

CONVERT THE CRIB INTO TODDLER BED



ENCLOSED HARDWARE

H. WASHERS



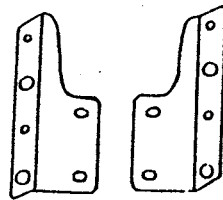
8 PCE

P. 3/4" BOLTS



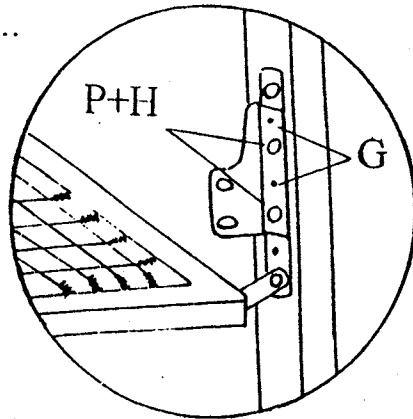
8 PCE

Q. GUARD RAIL BRACKETS



2 PCE

FIG. 7..



Reverse the steps in Fig. 5.

Take off the bolts (D) on the top of sliding rods(6).

Pull out the sliding rods(6) and remove the drop side.

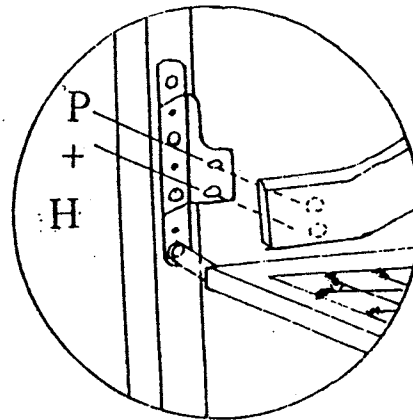
Reverse the steps in Fig. 1&2

Remove the rod holder angles (A)and the stabilizer bar(5).

Move the mattress support to its lowest position.

Remove top 2(two) wood screws(G) on the existing

mattress supporting bracket(L.) Align the Guard Rail Bracket(Q) with the bracket (L) and put the 2 wood screws(G) back in. Use bolts (P) plus washers(H) to tight the Guard Rail Bracket to mattress supporting bracket(L). Make sure the vertical portion of the bracket (Q) is facing inside of crib.



Tight the Guard Rail to the

bracket (Q) by using the

bolts (P) plus washer (H)

from inside of the crib.

Be sure the Guard Rail is

on the outside face of

the crib.

CONVERT THE TODDLER BED INTO FULL SIZE BED

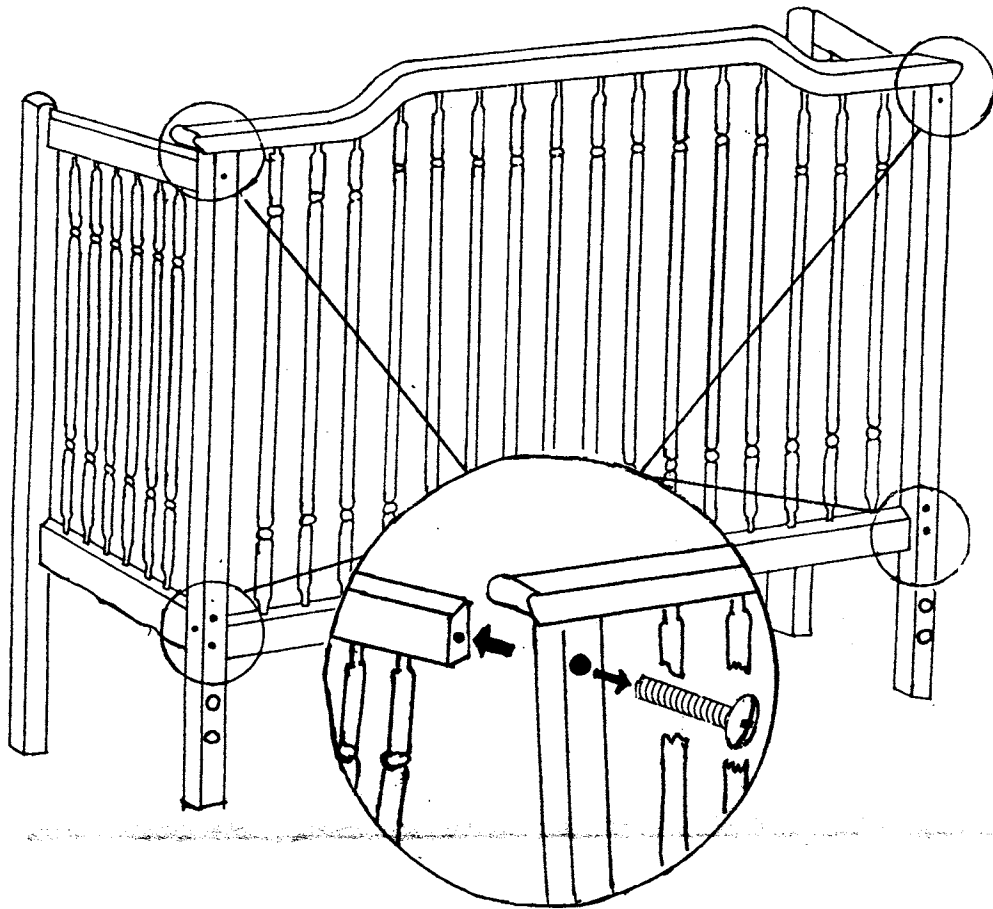


FIG 8. Release the screws at each corner of the stationary side as shown in the figure. The stationary side with posts will be the head board of the full size bed. Connect a regular Hollywood bed frame (not include) to the head board. Put on full size box and mattress (not include). This will be your beautiful full size bed.

